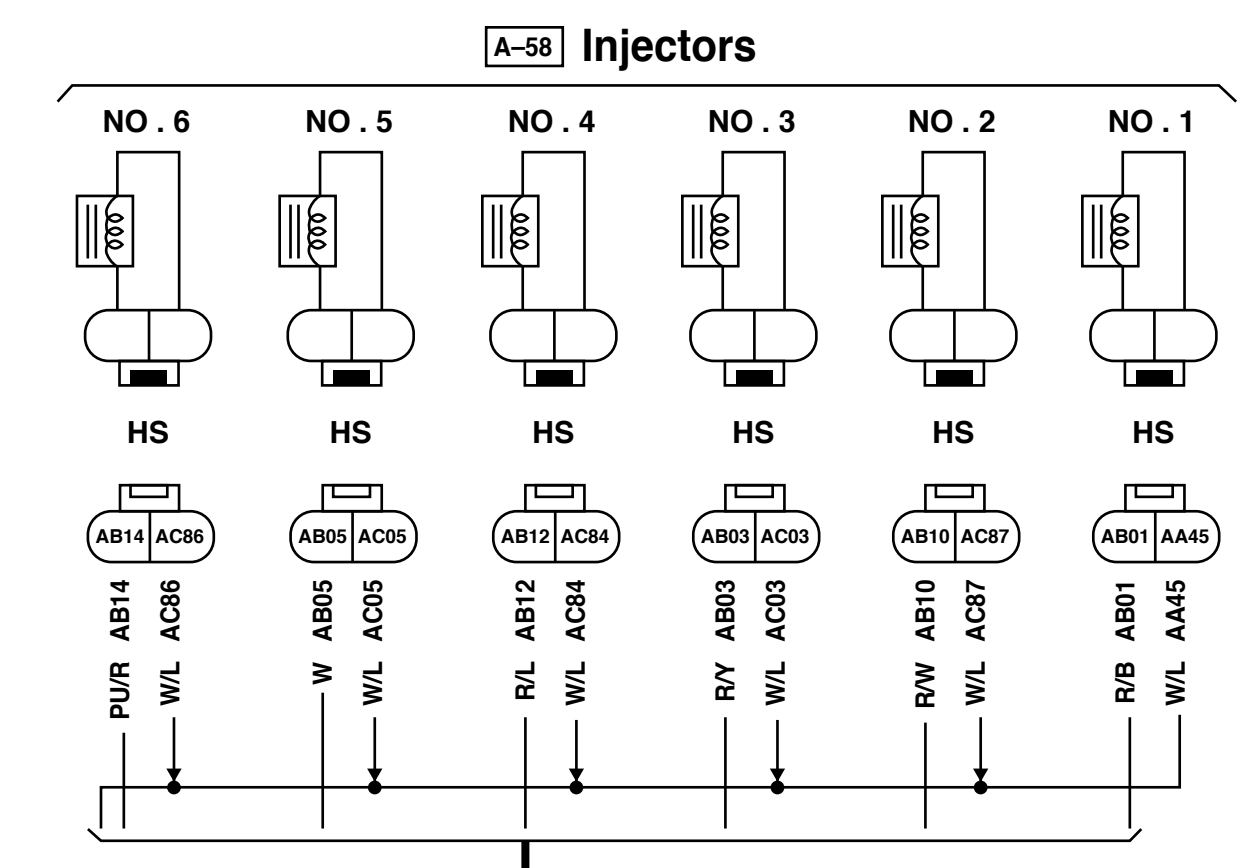


A

B

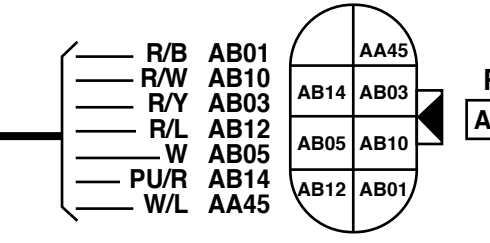
C

D



Injectors harness

ECCS/H (RB25DET)



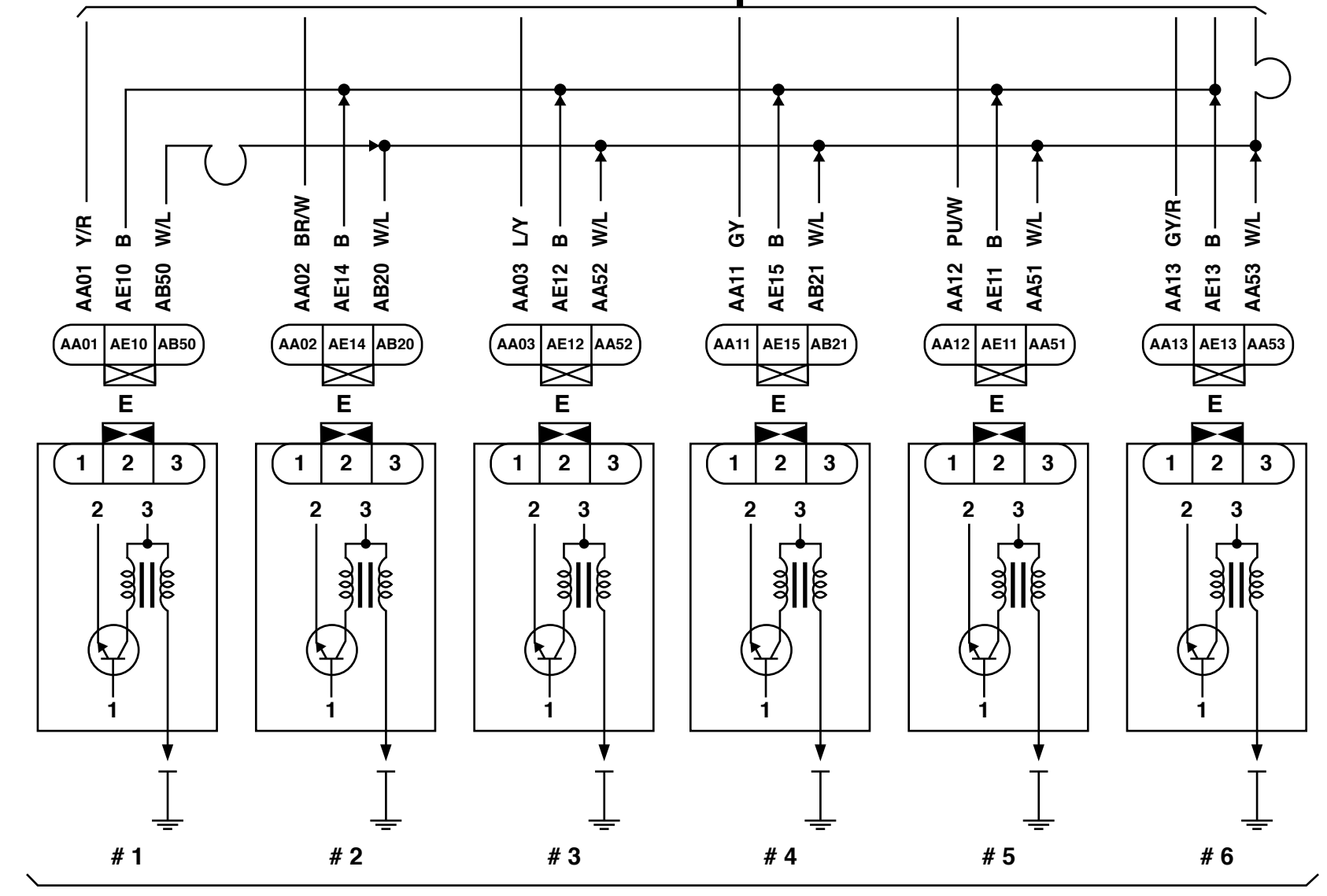
Coolant temp indicator sensor

VTC solenoid

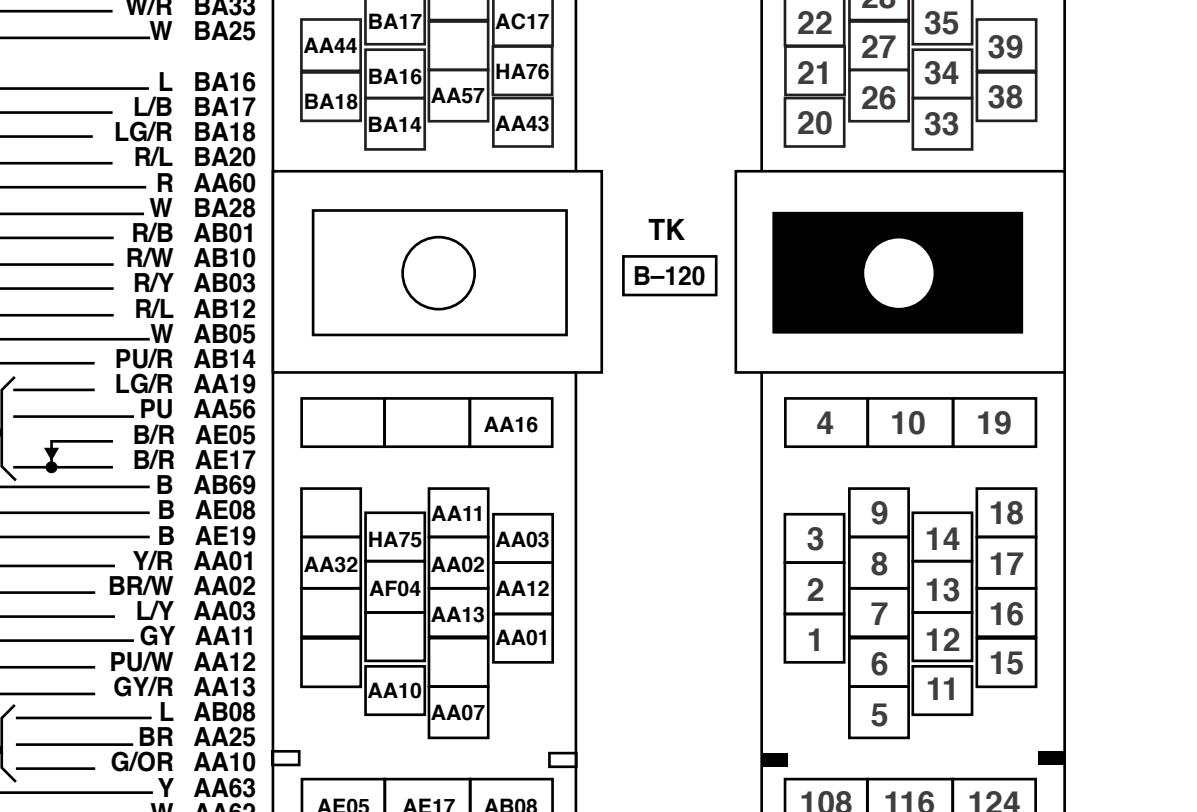
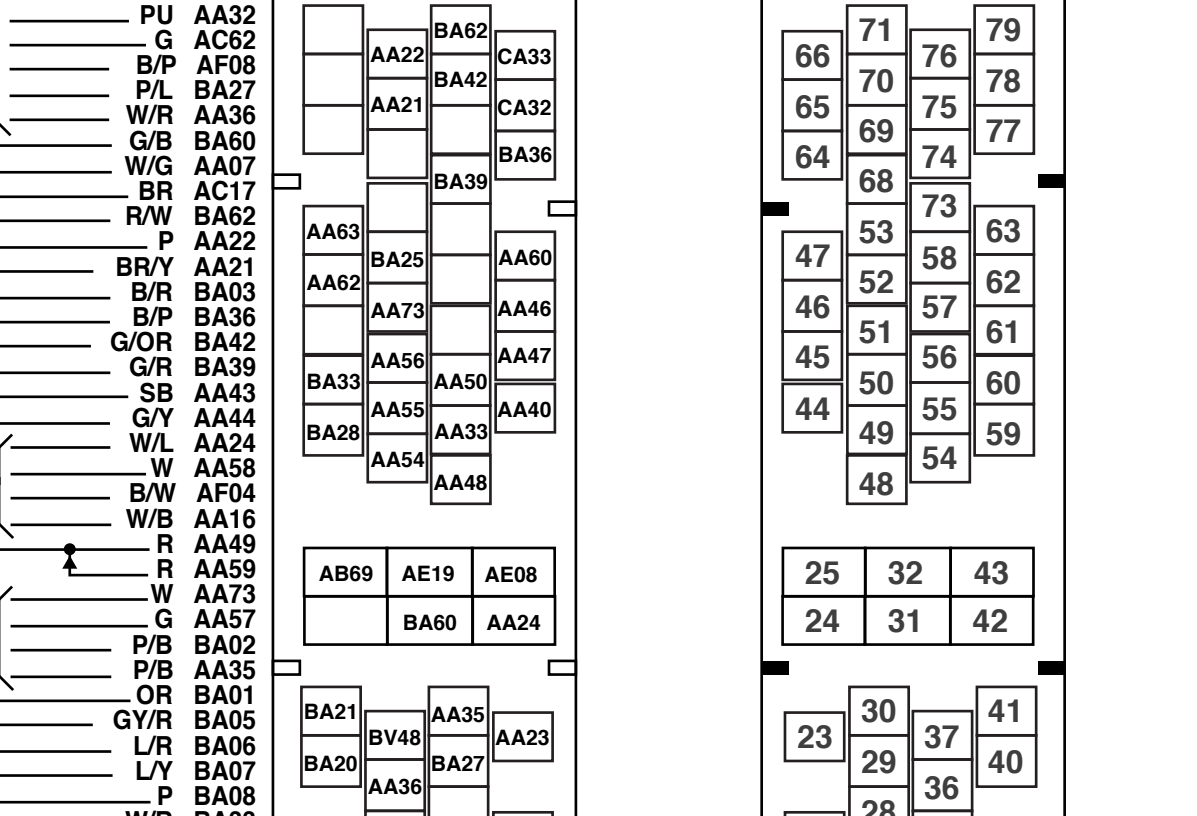
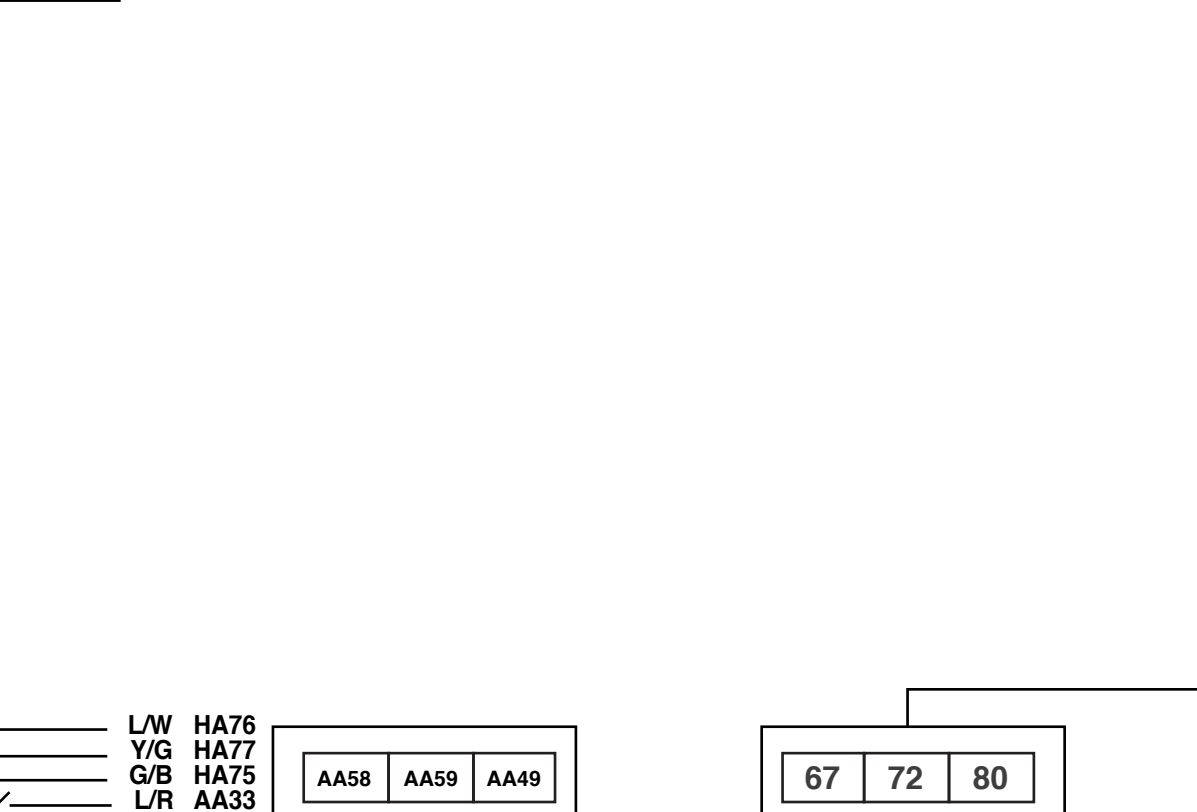
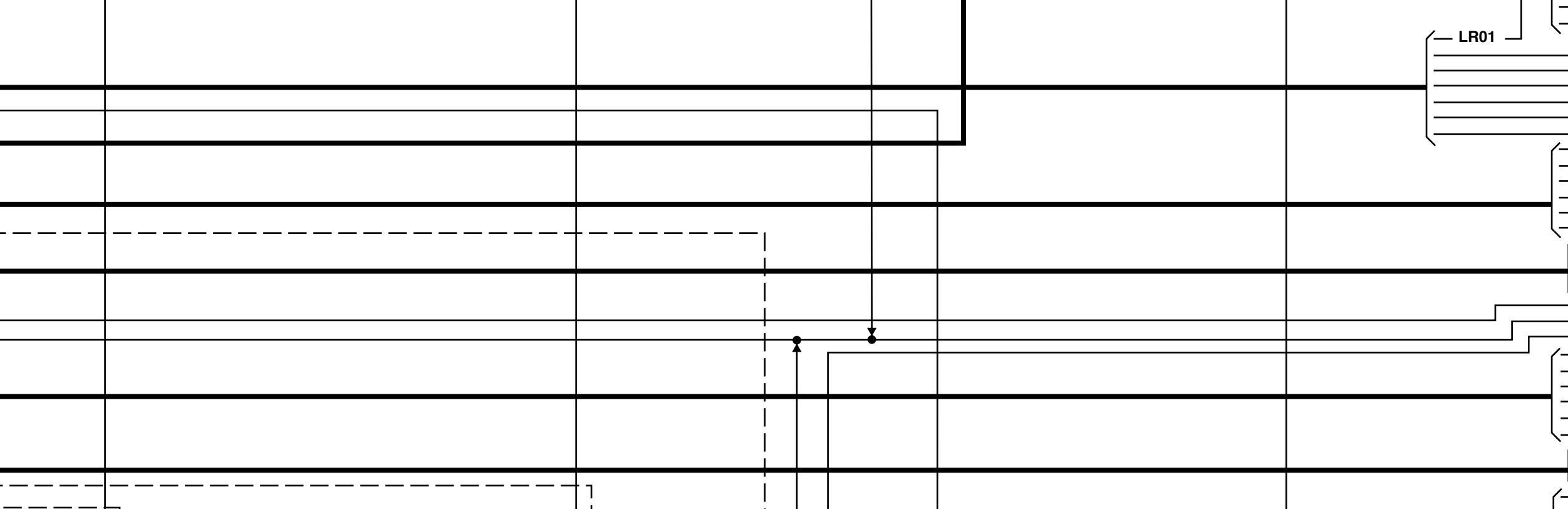
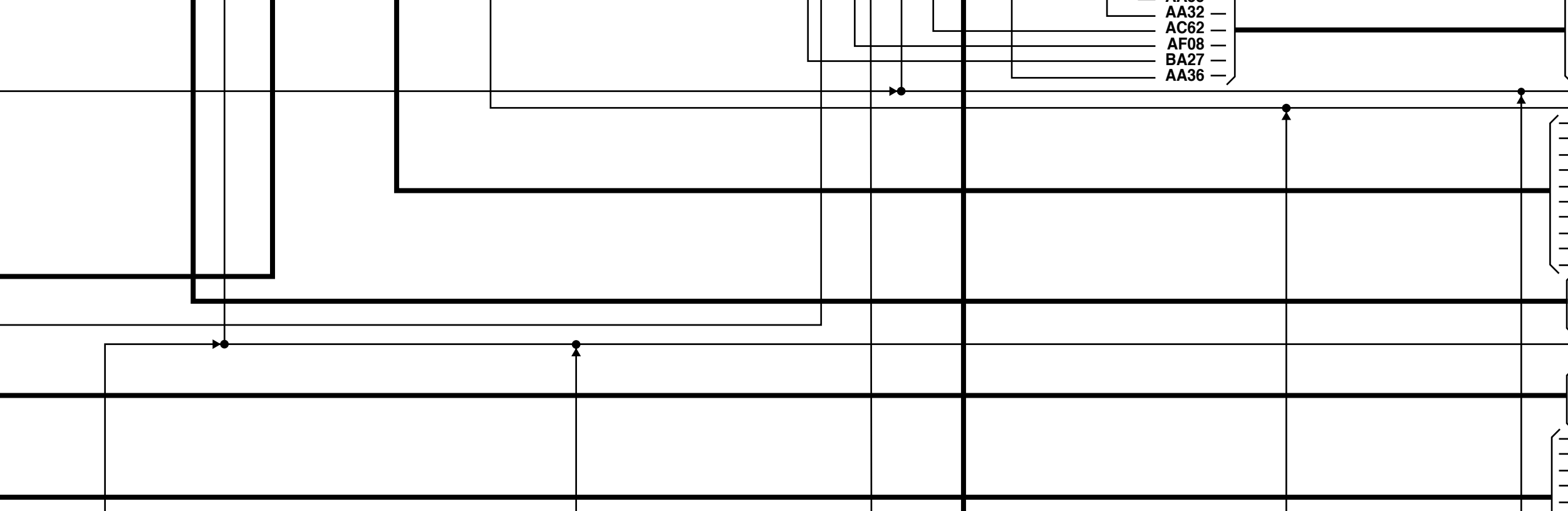
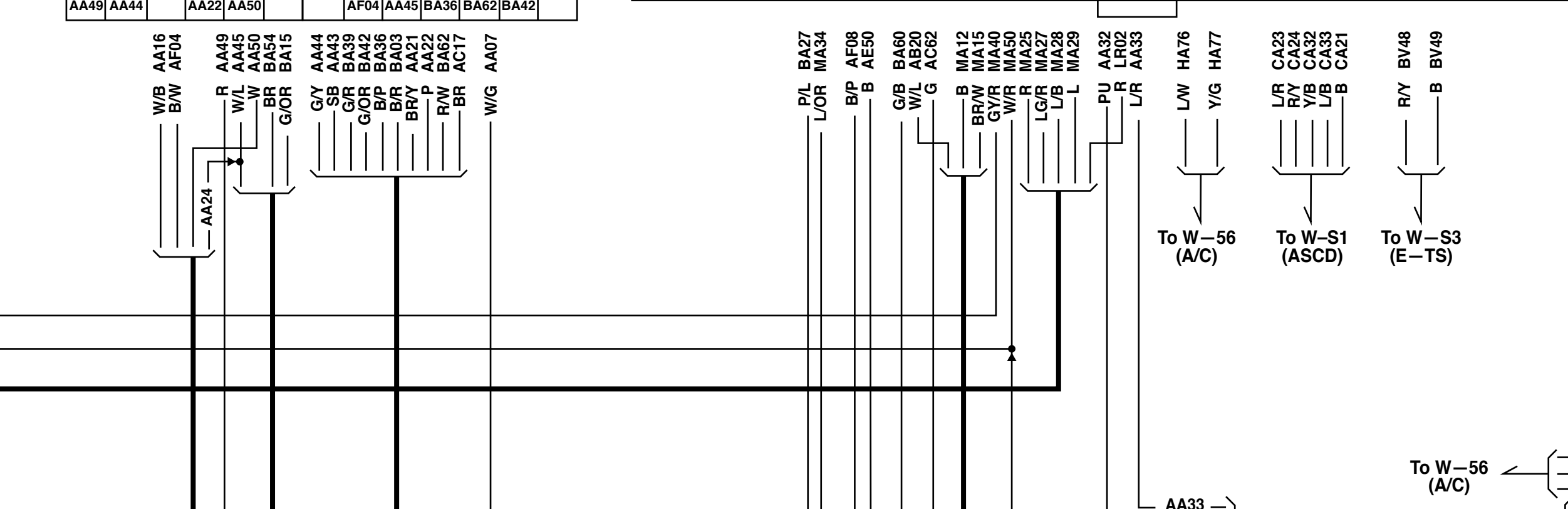
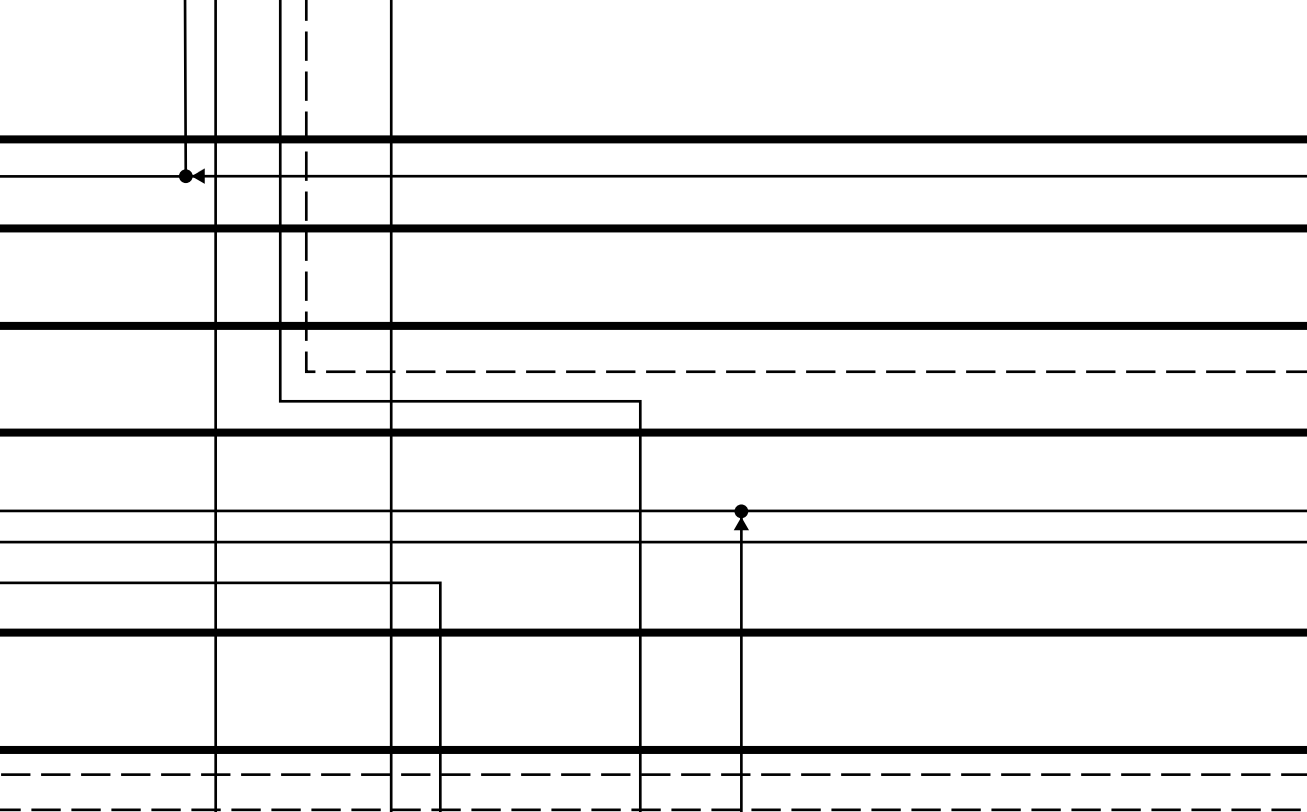
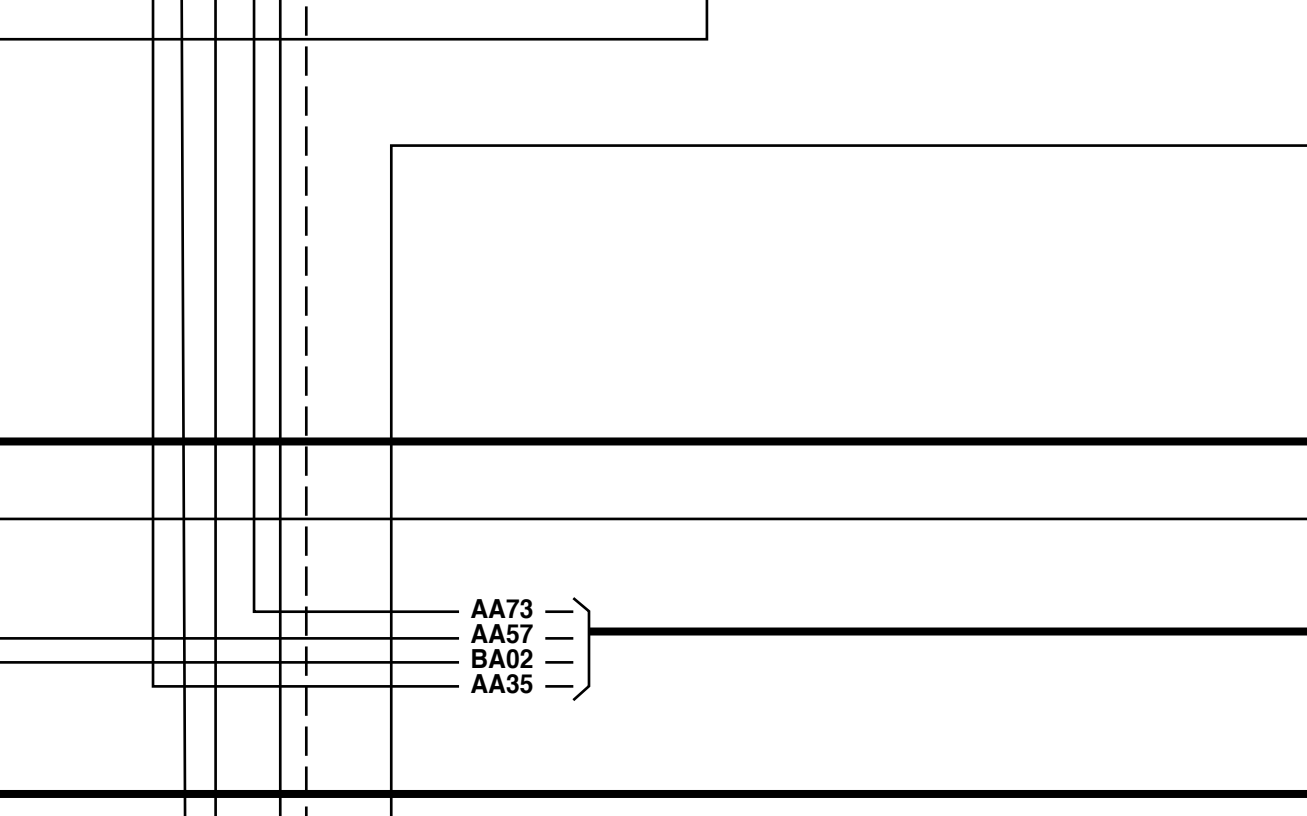
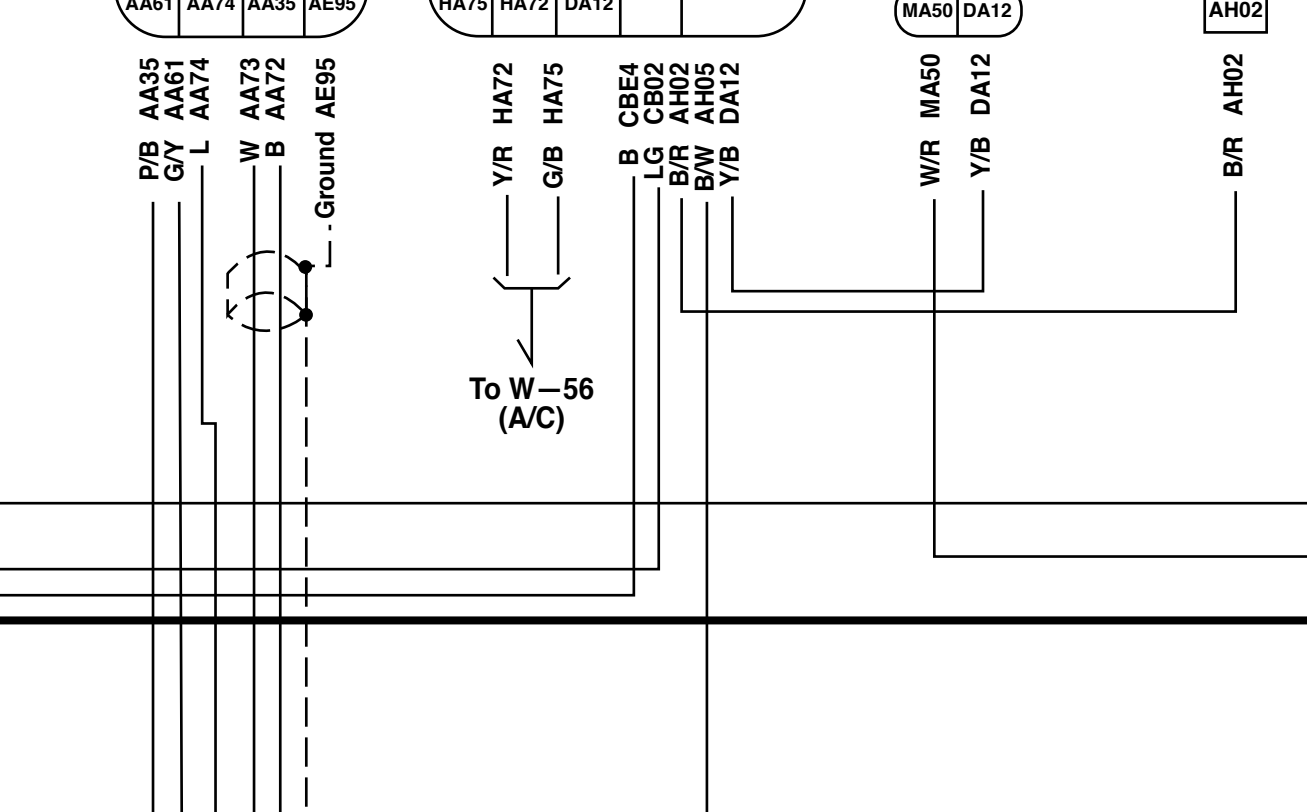
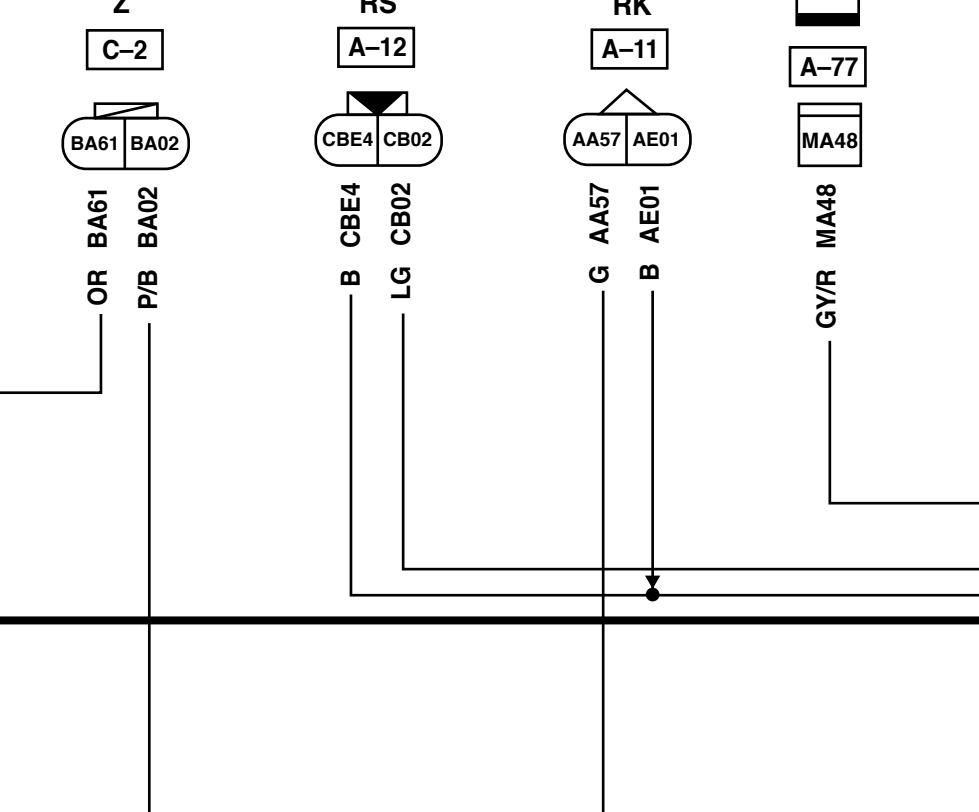
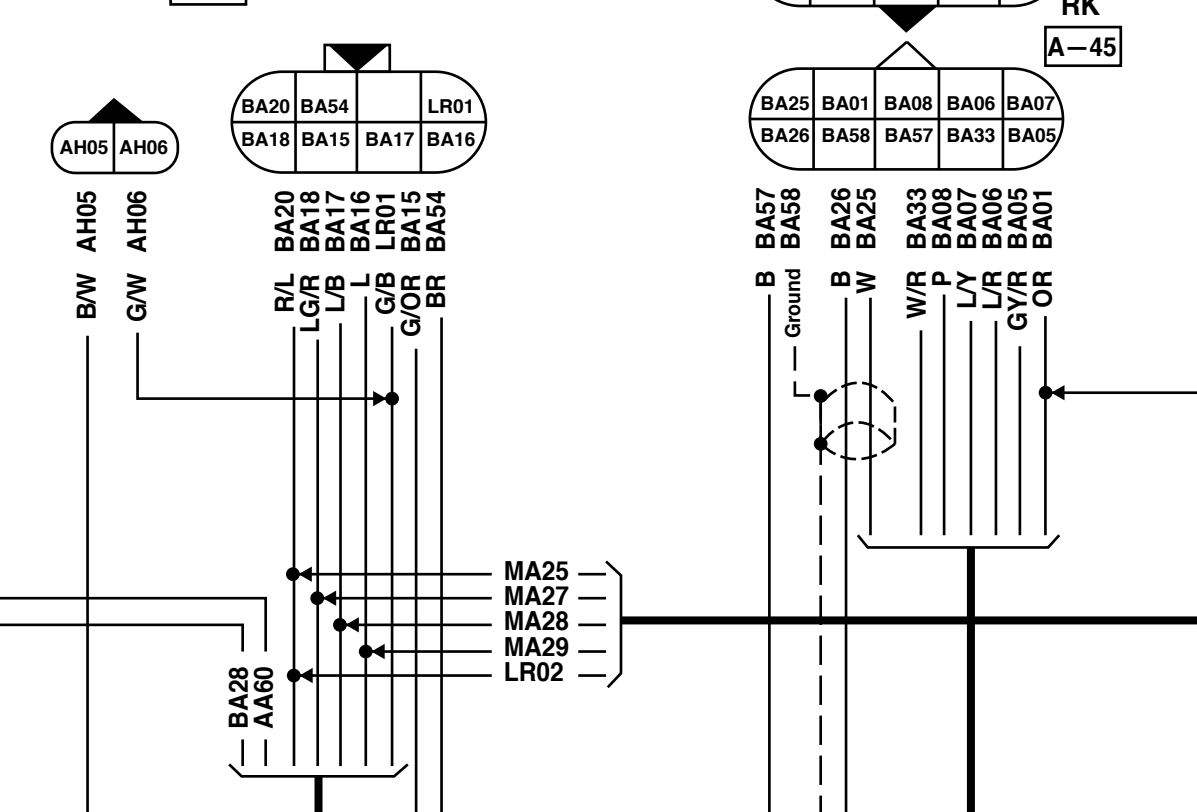
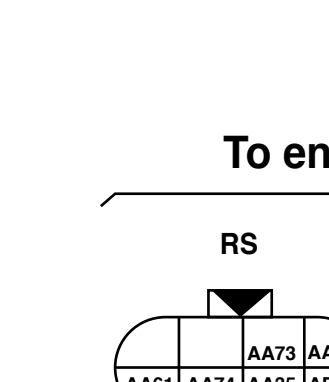
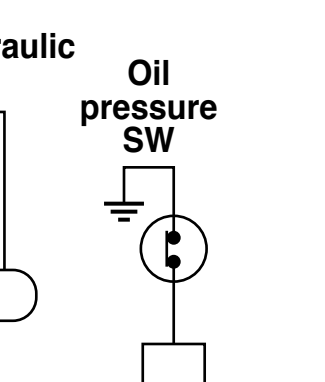
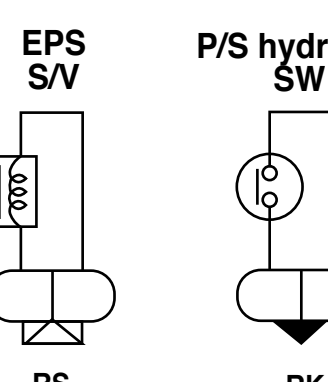
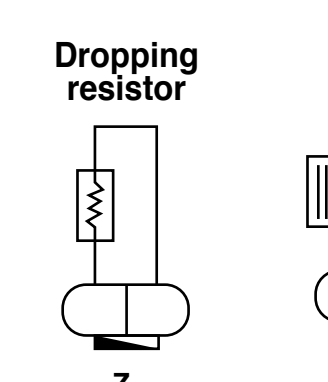
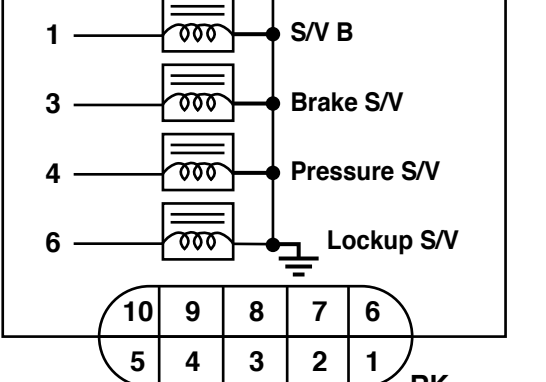
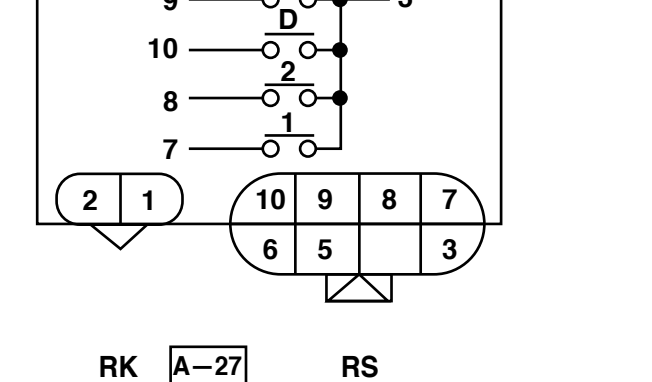
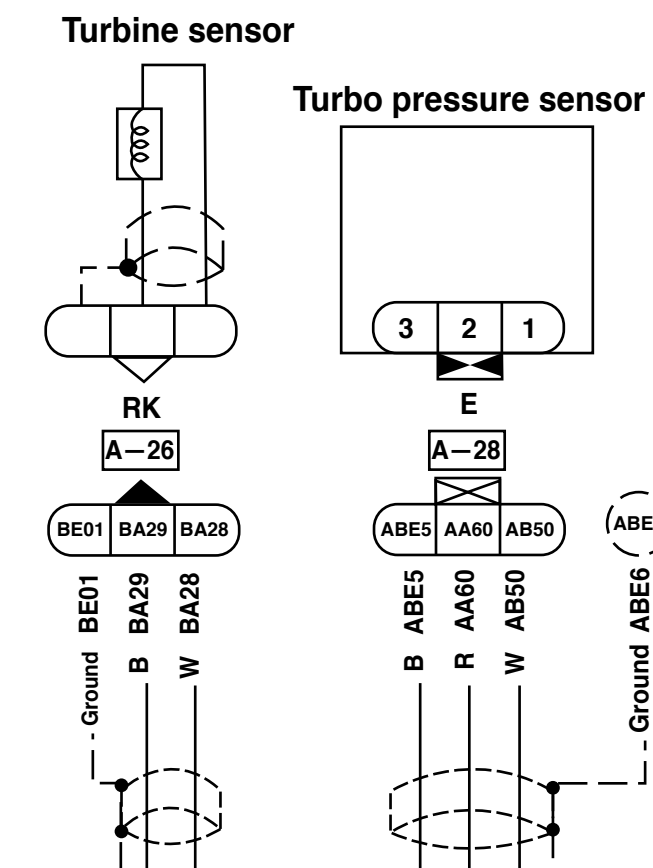
Coolant temp sensor

Engine ground

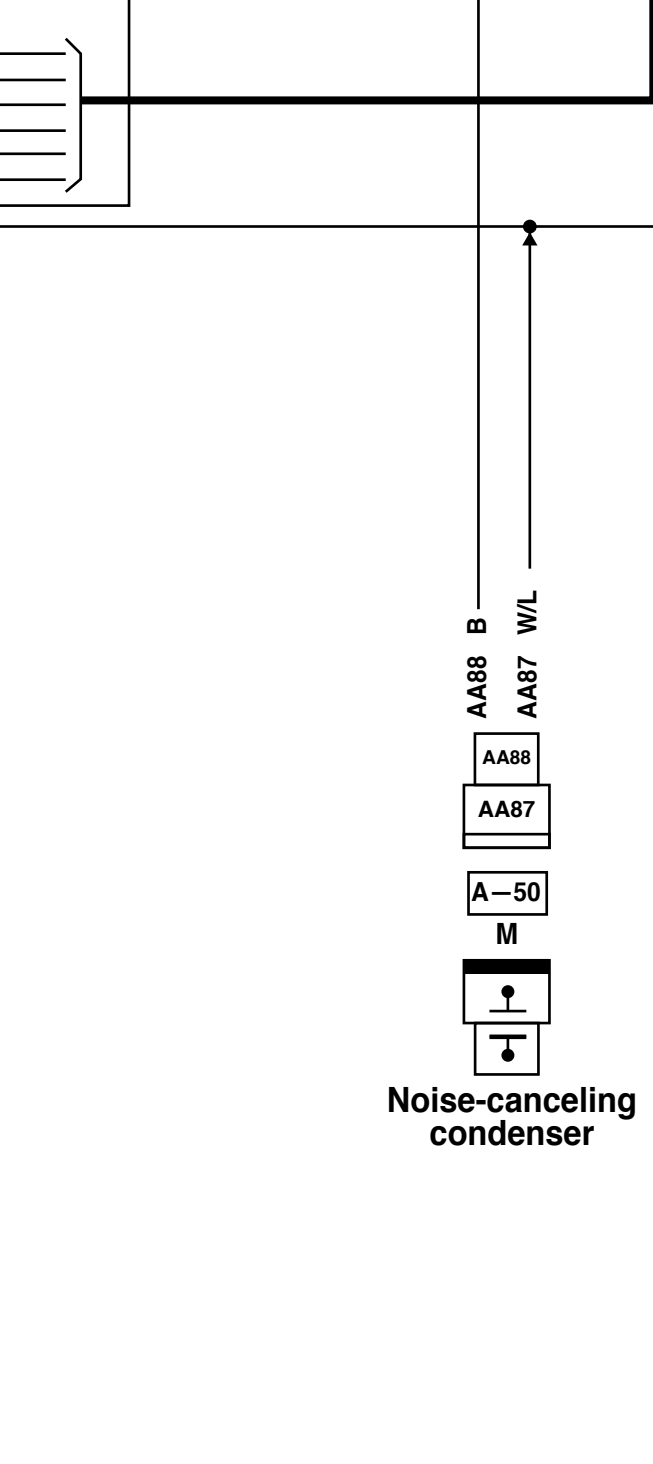
IGN Coils harness



IGN Coils



ECCS A/T C Y U



Noise-canceling condenser

Vehicle speed sensor

Canister purge control valve

Turbo pressure control solenoid

AAC valve

Knock sensors

Throttle valve SW

Throttle motor sensor

Mass air flow sensor

Crankshaft position sensor

O2 sensor

Check connector

Note: If you see in the wiring diagram
 — HA80 — J/C — M3 — HA80 —
 Each wire is connected by terminal J/C — M5

2